

The all-new
e-tron GT era





Pure sportiness ^{and} progressive luxury

The Audi e-tron GT* and RS e-tron GT* are modern-day demonstrations of progress. They radiate sportiness, exclusivity and comfort. The aerodynamic design and gran turismo concept are irresistible eye-catchers.

Image model: RS e-tron GT*

Final equipment subject to specification sheet.
For detailed information, please contact sales hotline 2291 0000.
*Overseas model is indicated, specification and features may differ in Hong Kong.



The geometry of acceleration

The sculptural design unites the dynamic proportions of a gran turismo with the unmistakable characteristics of Audi DNA. Its lines are drawn purely and precisely over its flat, wide silhouette.

Image model: RS e-tron GT*



Image model: RS e-tron GT*

An illuminating statement

The LED headlights (Matrix LED for RS e-tron GT*) are a fundamental aspect of a progressive design language. Another animated light strip runs across the entire width of the rear, framed at its outer edges by individual V-shaped LED segments within the lighting units themselves. This double reversing light and indicator function is a first for Audi.

Final equipment subject to specification sheet.
For detailed information, please contact sales hotline 2291 0000.
*Overseas model is indicated, specification and features may differ in Hong Kong.



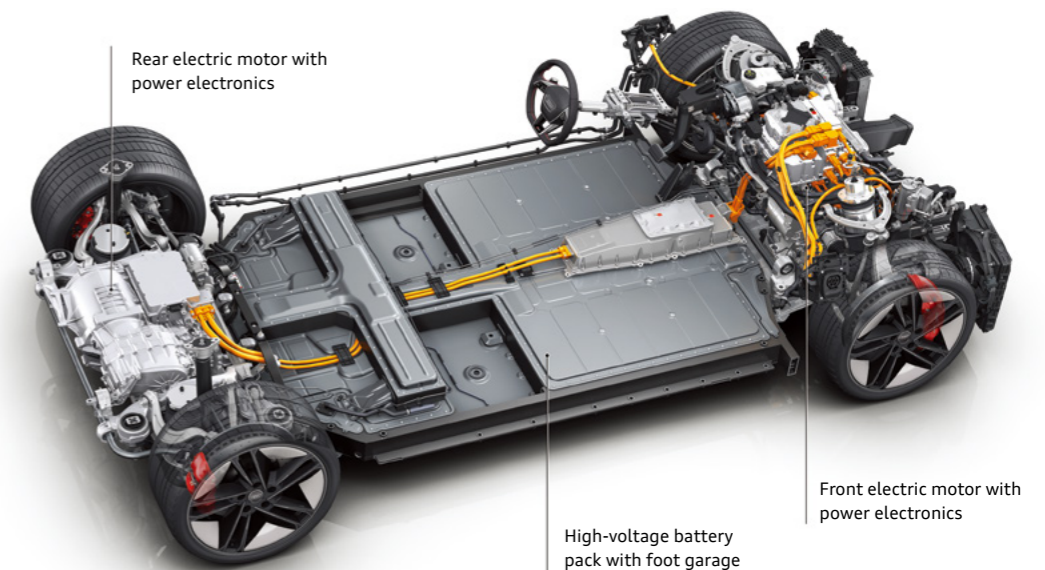
Sensory dynamics
see, hear, feel.

It is easy to recognise in its fascinating proportions and its detailed aerodynamic elements. Striking details such as the functional air inlets and outlets around the front wheels and the alloy wheels have been aerodynamically optimised.

Image model: e-tron GT*



Image model: RS e-tron GT*



The formula for
progress

The 800-volt lithium-ion battery integrated into the flat underbody of Audi e-tron GT* and RS e-tron GT*, which has a gross capacity of 93.4 kWh, offers extremely high performance compared to today's 400-volt systems-both when charging and when driving. In combination with the recuperation system, which has been adapted specifically to the agility, it provides a range of up to 475 km (456 km for RS e-tron GT*) according to the WLTP measurement procedure.

Final equipment subject to specification sheet.
 For detailed information, please contact sales hotline 2291 0000.
 *Overseas model is indicated, specification and features may differ in Hong Kong.



Fueled with ideas

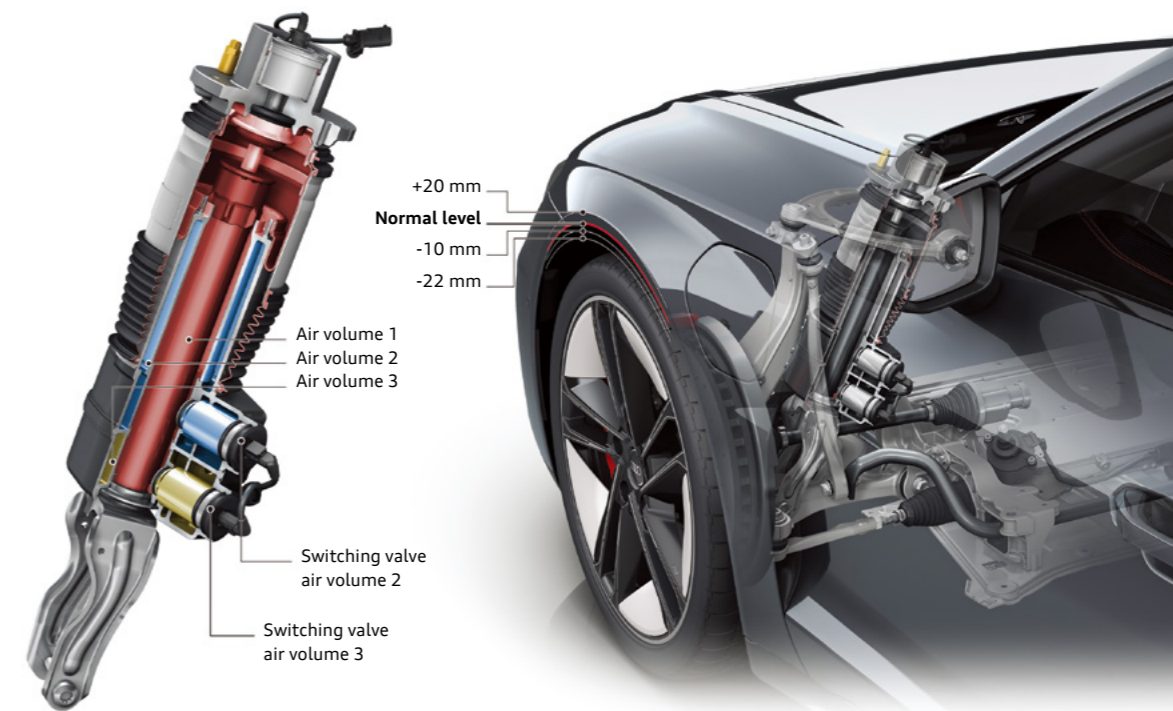
The power delivery with fully electric quattro all-wheel drive is impressive. With an electric drive on both the front and rear axles, when necessary it can deliver up to 350 kW of power (440 kW for RS e-tron GT*) or for a brief period with boost up to a maximum of 390 kW (475 kW for RS e-tron GT*). Even more impressive is its maximum torque of 630 Nm (830 Nm for RS e-tron GT*). The acceleration figures from stationary to 100 km/h in 4.1 seconds in boost mode (3.3 seconds in boost mode for RS e-tron GT*).

Final equipment subject to specification sheet.
 For detailed information, please contact sales hotline 2291 0000.
 *Overseas model is indicated, specification and features may differ in Hong Kong.

Image model: e-tron GT*
 Combined electric power consumption in 20.5kWh/100km;
 CO₂ emissions combined in g/km: 0



Image model: RS e-tron GT*
 Combined electric power consumption in 21.4 kWh/100 km;
 CO₂ emissions combined in g/km: 0



Electric driving with adaptive air suspension offers comfort, sportiness and everyday usability all at once. Comprising electronically controlled 3-chamber air suspension with continuously variable adaptive damping system on all four wheels, adaptive air suspension automatically regulates vehicle ride height and damping for excellent ride comfort and outstanding handling.



Image model: RS e-tron GT*

Focused on **aesthetic driving dynamics**

Everything is focused on the functional centre of the interior: the driver's position. Sport seats provide good lateral support even while cornering at speed. The materials used in the interior are an expressive demonstration of progress.



Image model: e-tron GT*

The pared-back cockpit with fully digital 12.3-inch colour display and the centre console are ergonomically oriented to the driver.



Image model: e-tron GT*

Panoramic glass sunroof for both RS e-tron GT* and e-tron GT*

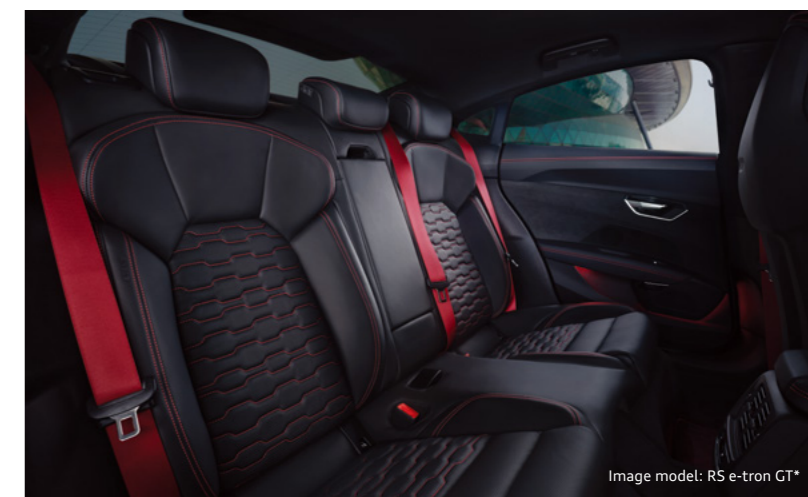


Image model: RS e-tron GT*

Perforated leather combination with honeycomb stitching with red seat belt for RS e-tron GT*



Design your RS e-tron GT quattro®



Design your e-tron GT quattro®

Alloy wheels

Standard (For Hong Kong models)

Optional**

21"



21"



Leather combination, perforated, with honeycomb stitching

Standard

Optional**



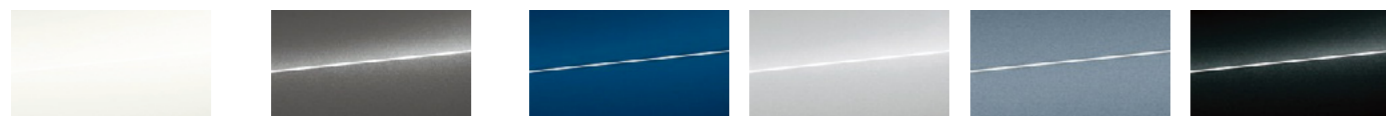
The Audi premium customised paint finishes

You don't get a second chance to make a first impression. Seize this one and choose your own personal exterior paint finish from the wide range of Audi exclusive colours.

Solid

Pearl**

Metallic**



Ibis white

Daytona gray

Ascari blue

Floret silver

Kemora gray

Mythos black



Suzuki gray

Tactical green

Tango red

Alloy wheels

Standard (For Hong Kong models)

Optional**

19"



20"



21"



Leather combination, perforated, with honeycomb stitching

Standard

Optional**



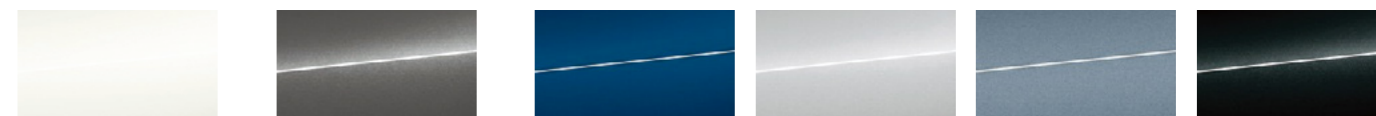
The Audi premium customised paint finishes

You don't get a second chance to make a first impression. Seize this one and choose your own personal exterior paint finish from the wide range of Audi exclusive colours.

Solid

Pearl**

Metallic**



Ibis white

Daytona gray

Ascari blue

Floret silver

Kemora gray

Mythos black



Suzuki gray

Tactical green

Tango red

Final equipment subject to specification sheet. For detailed information, please contact sales hotline 2291 0000.
*Overseas model is indicated, specification and features may differ in Hong Kong. ** Optional equipment

Model	RS e-tron GT quattro®	e-tron GT quattro®
Engine type	Lithium-ion high-voltage battery powered, full electric	Lithium-ion high-voltage battery powered, full electric
Battery capacity	93.4 kWh (gross)	93.4 kWh (gross)
Max. output	440 kW (475 kW in boost mode)	350 kW (390 kW in boost mode)
Max. torque	830 Nm	630 Nm (640 Nm in boost mode)
Power transmission		
Drive type	quattro® all-wheel drive	quattro® all-wheel drive
Weights / capacities		
Empty weight	2,420 kg	2,350 kg
Perm. Total weight	2,860 kg	2,840 kg
Permissible roof load limit / Support load	75/- kg	75/- kg
Mileage		
Top Speed	250 km / h	245 km / h
Acceleration	0-100 km / h: 3.6s (3.3 seconds in boost mode)	0-100 km / h: 4.5s (4.1 seconds in boost mode)
Consumption		
Fuel type	Electric	Electric
Consumption and emission values according to WLTP**		
Combined**	21.4 kWh / 100 km	20.5 kWh / 100 km
Combined CO ₂ emissions**	0g / km	0g / km
Electric range (combined)**	456 km	475 km

Explanatory note

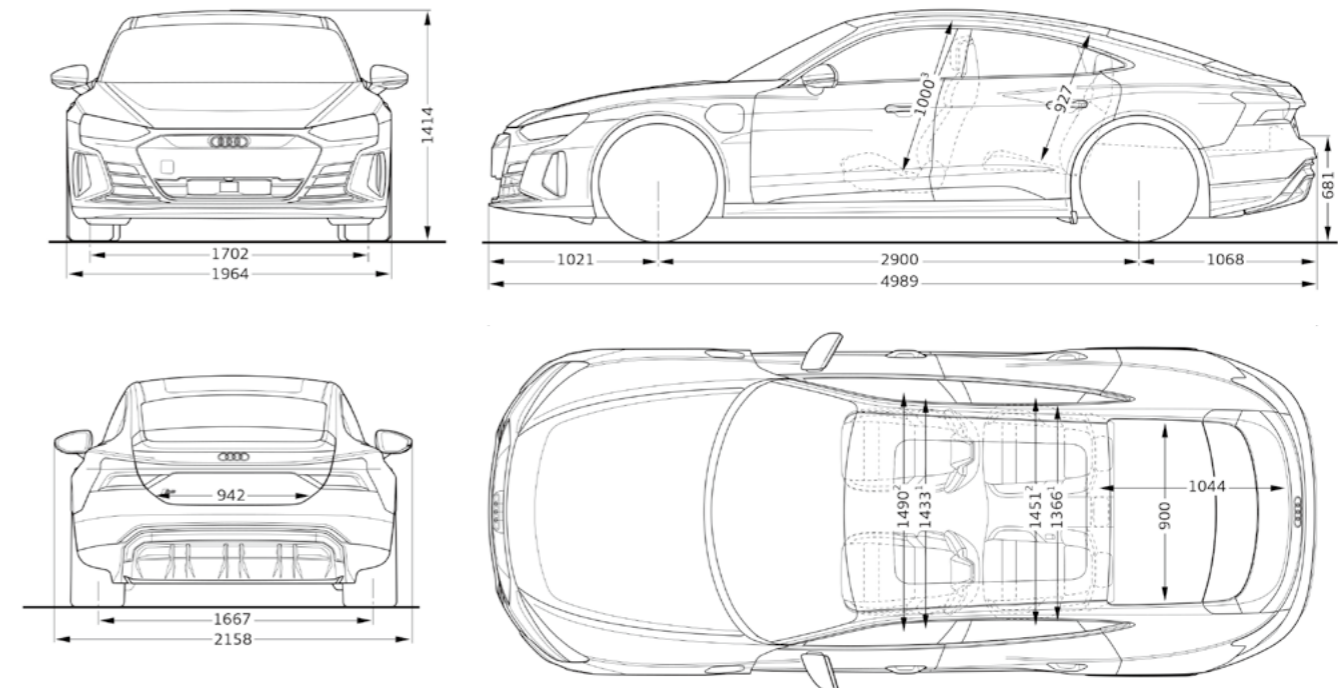
- * Unladen vehicle weight with driver (75 kg), determined according to Regulation (EU) 1230/2012 in the currently applicable version. Optional equipment can increase the curb weight and drag coefficient of the vehicle, which reduces the possible payload and maximum speed accordingly.
- ** The stated consumption and emission values were determined according to the legally prescribed measuring procedures. Since September 1, 2017, certain new vehicles have been type approved according to the Worldwide Harmonized Light Vehicles Test Procedure (WLTP), a more realistic test procedure for measuring fuel consumption and CO₂ emissions. From September 1, 2018, the WLTP will gradually replace the new European driving cycle (NEDC). Due to the more realistic test conditions, the fuel consumption and CO₂ measured according to the WLTP are in many cases higher than those measured according to the NEDC. This may result in corresponding changes in vehicle taxation from September 1, 2018. Further information on the differences between WLTP and NEDC can be found at www.audi.de/wltp.
- Currently, the NEDC values are still mandatory to communicate. As far as new cars are concerned that are type-approved according to WLTP, the NEDC values are derived from the WLTP values. The additional specification of the WLTP values can be made voluntarily until they are required to be used. Insofar as the NEDC values are specified as ranges, they do not refer to a single, individual vehicle and are not part of the offer. They are used solely for purposes of comparison between the various vehicle types. Additional equipment and accessories (add-on parts, tire format, etc.) can include relevant vehicle parameters, such as B. change weight, rolling resistance and aerodynamics and, in addition to weather and traffic conditions as well as individual driving behavior, influence fuel consumption, power consumption, CO₂ emissions and the performance values of a vehicle. Further information on the official fuel consumption and the official specific CO₂ emissions of new passenger vehicles can be found in the "Guide to fuel consumption, CO₂ emissions and power consumption of new passenger vehicles", which is available at all sales outlets and at DAT Deutsche AutomobilTreuhand GmbH, Hellmuth-Hirth-Str.1, D-73760 Ostfildern at www.dat.de is available free of charge.

Dimensions are for empty vehicle weight. Luggage capacity of RS e-tron GT quattro® 85 / 350 L ; e-tron GT quattro® e-tron GT quattro® 85 / 405 L (second value is with the rear seat backrest folded down and the vehicle loaded up to roof height). Turning circle approx. 11.6 m.

1) Shoulder width 2) Elbow width 3) Maximum headroom.

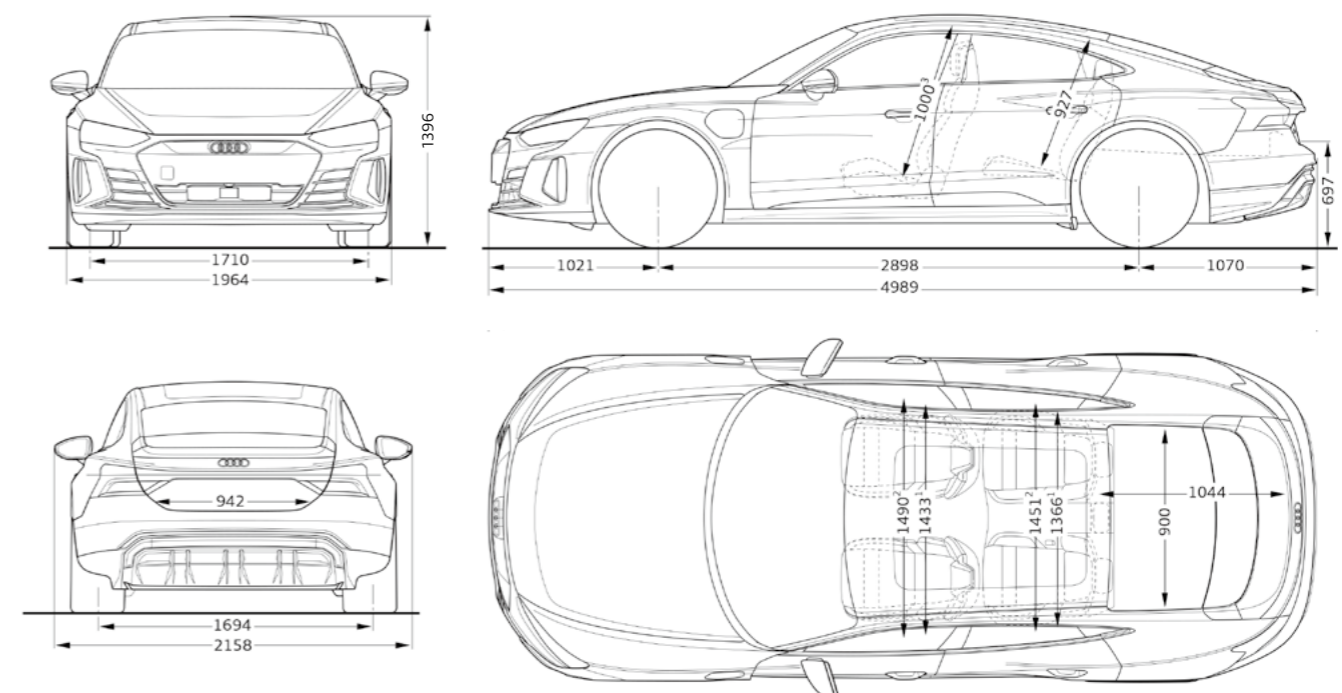
RS e-tron GT quattro®

Dimensions in mm



e-tron GT quattro®

Dimensions in mm





錦龍汽車集團奧迪銷售服務網絡

Kam Lung Motor Group Audi Sales & Service Network

香港 Hong Kong

奧迪太古城旗艦陳列室
Audi Taikoo Shing Flagship Showroom

奧迪九龍陳列室
Audi Kowloon Showroom

奧迪觀塘售後服務中心
Audi Service Centre Kwun Tong

奧迪荃灣售後服務中心
Audi Service Centre Tsuen Wan

奧迪柴灣售後服務中心
Audi Service Centre Chai Wan

澳門 Macau

奧迪澳門（澳門氹仔）
Audi Macau (Taipa, MO)

深圳 Shenzhen

深圳錦龍（深圳南山）
SZ Kam Lung (Nanshan, SZ)

深圳錦奧（深圳龍崗）
SZ JinAo (Longgang, SZ)

深圳奧德（深圳羅湖）
SZ AoDe (Luohu, SZ)

深圳德迪（深圳蛇口）
SZ DeDi (Shekou, SZ)

廣州 Guangzhou

廣州錦龍（廣州天河）
GZ Kam Lung (Tianhe, GZ)

廣州錦龍二沙島體驗中心（廣州二沙島）
Audi Centre Ersha Island (Ersha Island, GZ)

廣州奧德（廣州天河）
GZ AoDe (Tianhe, GZ)

廣州德迪（廣州南沙）
GZ DeDi (Nansha, GZ)

肇慶錦龍（肇慶高要）
ZQ Kam Lung (Gaoyao, GZ)



5年原廠全車保用 5-year comprehensive warranty

新車享有5年或首100,000公里保用（以先到達者為準）*

5-year or first 100,000 km (whichever comes first) warranty since new car delivery date

新車享有12年車身防鏽穿保用*


12 years body against rust penetration warranty since new car delivery date

高壓電池自新車交予客戶當日起，享有8年或首160,000公里保用（以先到達者為準）*


8-year or first 160,000 km (whichever comes first) high-voltage battery warranty since new car delivery date

原廠零配件自安裝日起，24個月（無限里數）均享有原廠零配件保用*

24-month (with unlimited mileage) genuine parts warranty since the replacement date

 www.audi.com.hk

 Audi Hong Kong

 [audihk](#)

 Audi Hong Kong

 Audi Hong Kong

查詢熱線 Sales Enquiry Hotline:

2291 0000

© 2021 Kam Lung Motors Limited. All rights reserved

* 根據原廠保用條款和條件。

*Warranty terms and conditions applied.

www.kamlung.com